
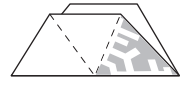



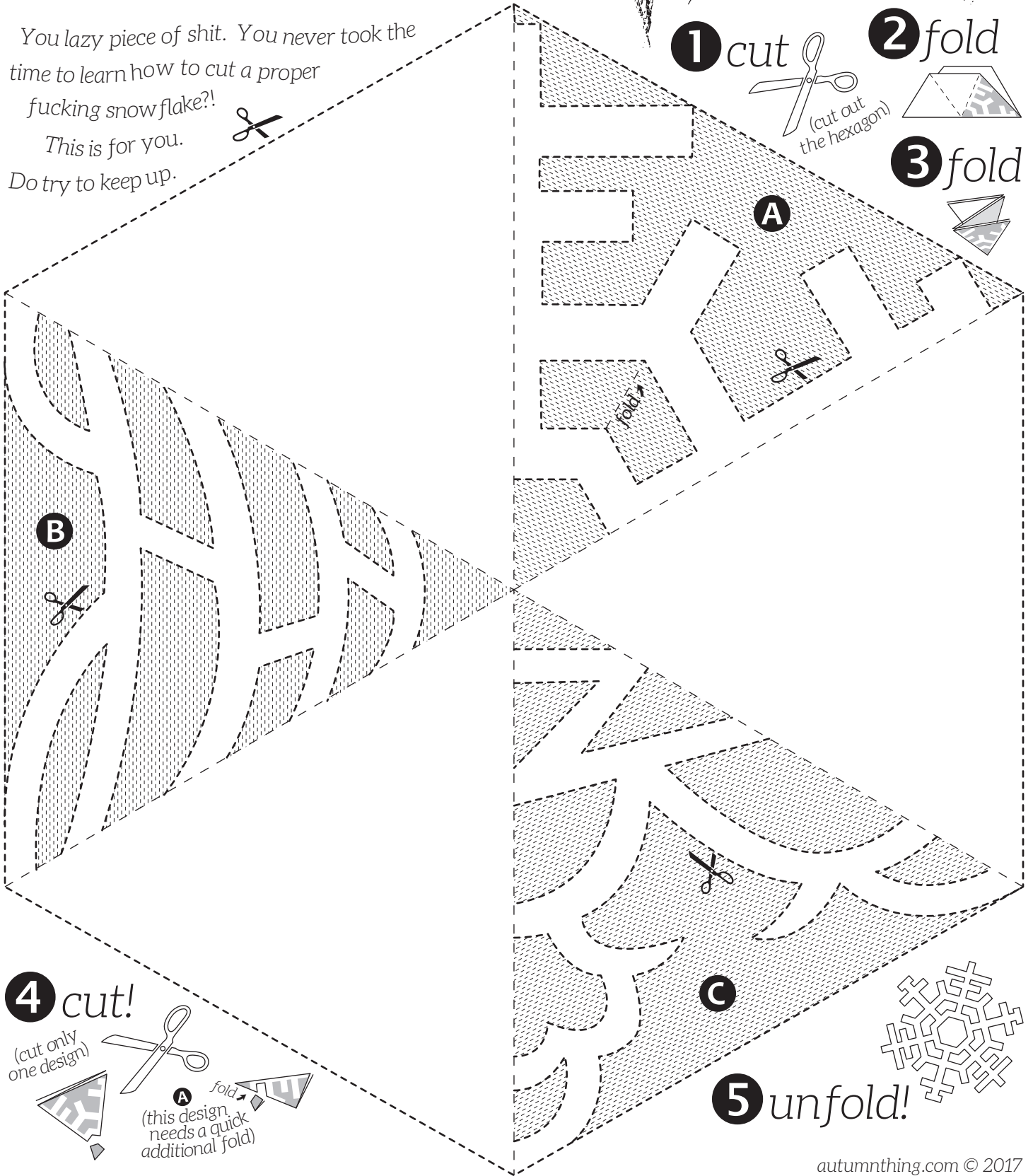
make a LAZY BITCH snowflake fucking



You lazy piece of shit. You never took the time to learn how to cut a proper fucking snowflake?!

This is for you.
Do try to keep up.



- 1** cut  (cut out the hexagon)
- 2** fold 
- 3** fold 



- 4** cut! (cut only one design) 
- A** fold (this design needs a quick additional fold) 

- 5** unfold! 